

Product Evaluation Report
GOLDIN METALS, INC.

Min. 26 Ga. Goldin Roof Panel over 15/32" Plywood

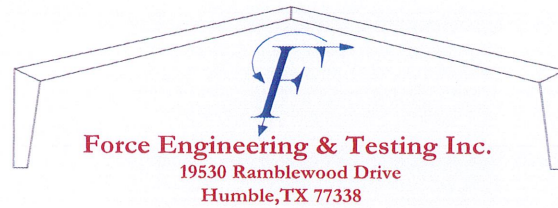
Product Manufacturer:
Goldin Metals, Inc.
12440 Seaway Road
Gulfport, Mississippi 39503

Engineer Evaluator:
Terrence E. Wolfe, P.E.
Mississippi #13566

Contents:
Evaluation Report Pages 1 – 3



April 25, 2018
PAGE 1 OF 3



Compliance Statement: The product as described in this report has demonstrated compliance with the International Building Code 2015, Sections 1504.3.2.

Product Description: Goldin Roof Panel, Min. 26 Ga. Steel, 36" coverage, through fastened roof panel over Min. 15/32" APA Plywood decking. Non-structural Application.

Panel Material/Standards: Material: Min. 26 Ga. Steel, ASTM A792 unpainted or painted or ASTM A653 G90 conforming to International Building Code 2015 Section 1507.4.3.
Yield Strength: Min. 50.0 ksi
Corrosion Resistance: Panel Material shall comply with International Building Code 2015, Section 1507.4.3.

Panel Dimension(s): Thickness: 0.0185" min.
Width: 36" maximum coverage
Rib Height: 5/8" tall major ribs at 9" O.C.

Panel Fastener: #14-10 x 1-1/2" HWH Type A with sealing washing or approved equal.
1/4" minimum penetration through plywood.
Panel side laps fastened together w/ #12-14 x 3/4" HWH Sharp Point w/ sealer washer at 20" O.C.
Corrosion Resistance: Per International Building Code 2015, Section 1507.4.4.

Substrate Description: Min. 15/32" thick, APA Rated plywood over supports at maximum 24" O.C.
Design of plywood and plywood supports are outside the scope of this evaluation. Substrate must be designed in accordance w/ International Building Code.

Allowable Design Uplift Pressures:

Table "A"

Maximum Total Uplift Design Pressure:	85.0 psf	102.9 psf	120.7 psf
Fastener Pattern:	Pattern 1	Pattern 1	Pattern 1
Fastener Pattern Spacing (Up roof Slope):	24" O.C.	18" O.C.	12" O.C.

*Design Pressure includes a Safety Factor = 2.0.

Code Compliance: The product described herein has demonstrated compliance with The International Building Code 2015, Section 1504.3.2.

Evaluation Report Scope: The product evaluation is limited to compliance with the structural wind load requirements of the International Building Code 2015.

Performance Standards: The product described herein has demonstrated compliance with:

- UL 580-06 - Test for Uplift Resistance of Roof Assemblies
- UL 1897-2012 - Uplift Test for Roof Covering Systems

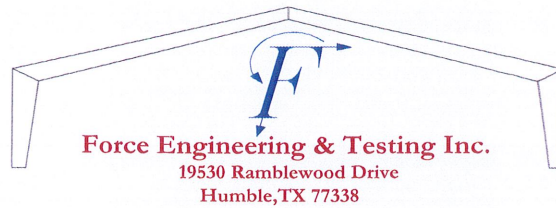
Reference Data:

1. UL 580-94 / 1897-98 Uplift Test
Farabaugh Engineering & Testing, Inc., Report No. T169-05

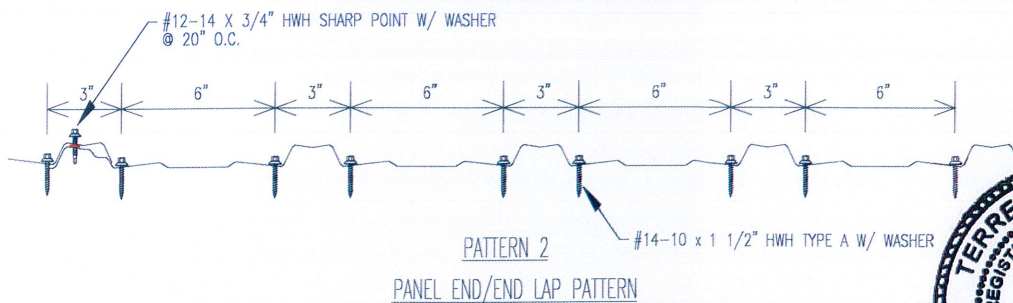
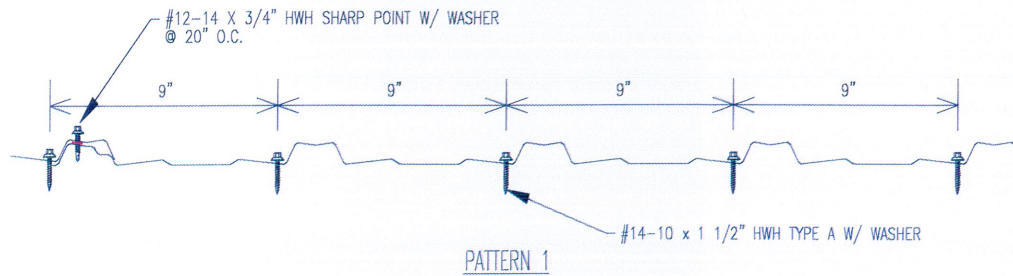
Test Standard Equivalency:

1. The UL 580-94 test standard is equivalent to the UL 580-06 test standard.
2. The UL 1897-98 test standard is equivalent to the UL 1897-12 test standard.





- Quality Assurance Entity:** The manufacturer has established compliance of roof panel products for manufacturing under a quality assurance program audited by an approved quality assurance entity.
- Minimum Slope Range:** 2:12. Minimum Slope shall comply with International Building Code 2015, including Section 1507.4.2 and in accordance with Manufacturers recommendations. For slopes less than 3:12, lap sealant must be used in the panel side laps.
- Installation:** Install per manufacturer's recommended details.
- Underlayment:** Per Manufacturer's installation guidelines.
- Roof Panel Fire Classification:** Fire classification is not part of this acceptance.
- Shear Diaphragm:** Shear diaphragm values are outside the scope of this report.
- Design Procedure:** Based on the dimensions of the structure, appropriate wind loads are determined using Chapter 16 of the International Building Code 2015 for roof cladding wind loads. These component wind loads for roof cladding are compared to the allowable pressure listed above. Support framing must be in compliance with International Building Code 2015 Chapter 22 for steel, Chapter 23 for wood and Chapter 16 for structural loading.



April 25, 2018
PAGE 3 OF 3