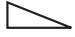
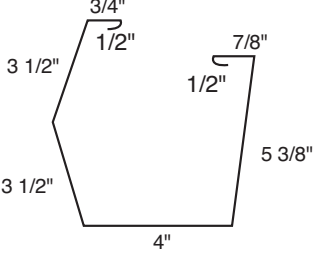
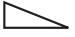
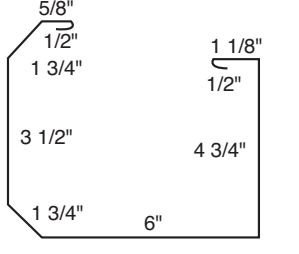
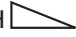
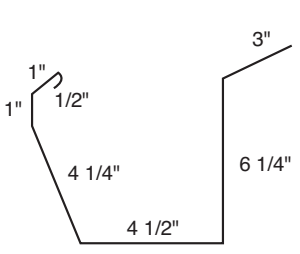
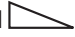
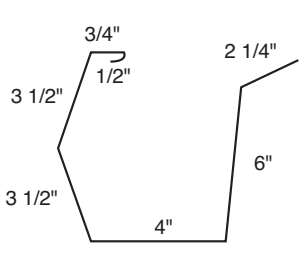
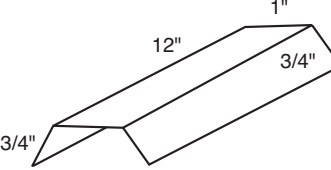
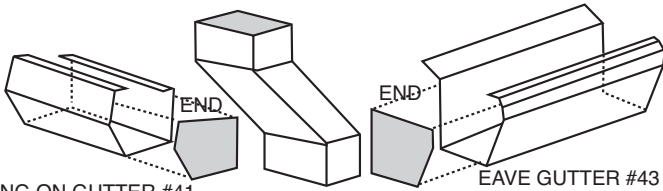
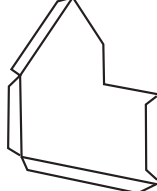
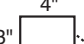
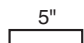
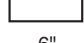

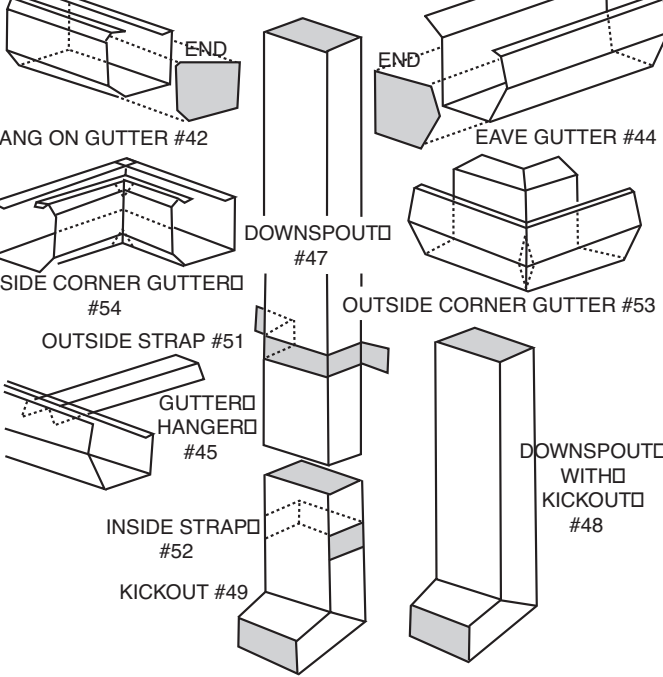

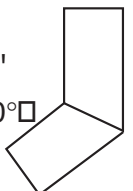
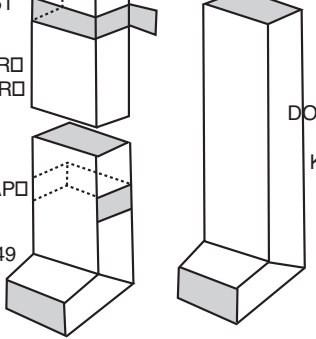
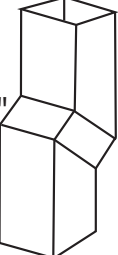


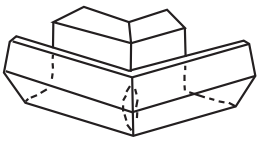
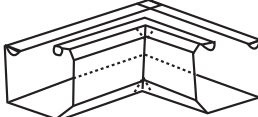


# GUTTERS & DOWNSPOUTS

<p>SPECIFY PITCH  <b>41.</b></p>  <p>HANG ON GUTTER #41</p>	<p>SPECIFY PITCH  <b>42.</b></p>  <p>HANG ON GUTTER #42</p>	<p>SPECIFY PITCH  <b>43.</b></p>  <p>EAVE GUTTER #43</p>	<p>SPECIFY PITCH  <b>44.</b></p>  <p>EAVE GUTTER #44</p>
<p>SPECIFY PROFILED <input type="checkbox"/> G PANEL or R PANEL <b>45.</b></p>  <p>GUTTER HANGER</p>	 <p>HANG ON GUTTER #41      DOWNSPOUT OFFSET #50      EAVE GUTTER #43</p>		<p>SPECIFY LEFT or RIGHT <input type="checkbox"/> <b>46.</b> SPECIFY GUTTER PART #</p>  <p>GUTTER ENDS <input type="checkbox"/> LEFT &amp; RIGHT</p>
<p><b>47.</b></p> <p>A  4" 3"</p> <p>B  5" 4"</p> <p>C  6" 3 1/2"</p>  <p>DOWNSPOUTS</p>	 <p>HANG ON GUTTER #42      DOWNSPOUT #47      EAVE GUTTER #44</p> <p>INSIDE CORNER GUTTER #54      OUTSIDE CORNER GUTTER #53</p> <p>OUTSIDE STRAP #51      GUTTER HANGER #45</p> <p>INSIDE STRAP #52      KICKOUT #49</p>		<p><b>48.</b></p> <p>A – 3" X 4" <input type="checkbox"/></p> <p>B – 4" X 5" <input type="checkbox"/></p> <p>C – 3 1/2" X 6" <input type="checkbox"/></p> <p>45° or 90° <input type="checkbox"/></p>  <p>DOWNSPOUT WITH <input type="checkbox"/> KICKOUT</p>
<p><b>49.</b></p> <p>A – 3" X 4" <input type="checkbox"/></p> <p>B – 4" X 5" <input type="checkbox"/></p> <p>C – 3 1/2" X 6" <input type="checkbox"/></p> <p>45° or 90° <input type="checkbox"/></p>  <p>KICKOUT</p>	 <p>DOWNSPOUT WITH <input type="checkbox"/> KICKOUT #48</p>		<p><b>50.</b></p> <p>A – 3" X 4" <input type="checkbox"/></p> <p>B – 4" X 5" <input type="checkbox"/></p> <p>C – 3 1/2" X 6" <input type="checkbox"/></p> <p>45° or 90° <input type="checkbox"/></p>  <p>DOWNSPOUT OFFSET</p>
<p><b>51.</b></p> <p>A – 3" X 4" <input type="checkbox"/></p> <p>B – 4" X 5" <input type="checkbox"/></p> <p>C – 3 1/2" X 6" <input type="checkbox"/></p>  <p>OUTSIDE DOWNSPOUT STRAP</p>	<p><b>52.</b></p> <p>A – 3" X 4" <input type="checkbox"/></p> <p>B – 4" X 5" <input type="checkbox"/></p> <p>C – 3 1/2" X 6" <input type="checkbox"/></p>  <p>INSIDE DOWNSPOUT STRAP</p>	<p>SPECIFY PART # <b>53.</b></p>  <p>OUTSIDE GUTTER 90° <input type="checkbox"/></p>	<p>SPECIFY PART # <b>54.</b></p>  <p>INSIDE GUTTER 90° <input type="checkbox"/></p>

ACTUAL DIMENSIONS MAY VARY  
CERTAIN RESTRICTIONS APPLY